

30" X 48" CLEAR SPACE  
FOR ACCESSIBLE FRONT  
OR SIDE APPROACH

60" DIAMETER TURNING CIRCLE

ORIENTATION NOTES

PLANS SHOW STANDARD EBRPD DRINKING FOUNTAIN WITH THE ADA EXTENSION ARM ON THE LEFT SIDE (440 SMSS EAST BAY).

IF THE SITE LAYOUT WILL WORK BETTER WITH THE ADA ARM ON THE RIGHT SIDE, ORDER THE REVERSED EBRPD DRINKING FOUNTAIN (440 SMSS EAST BAY REVERSE).

Ⓒ LAYOUT PLAN



**DRINKING FOUNTAIN**

REVIEWED BY THE PARK STANDARDS COMMITTEE, AND APPROVED BY THE CHIEF OF DESIGN & CONSTRUCTION

*Signature*

09/23/2022

STD PLAN

**515**

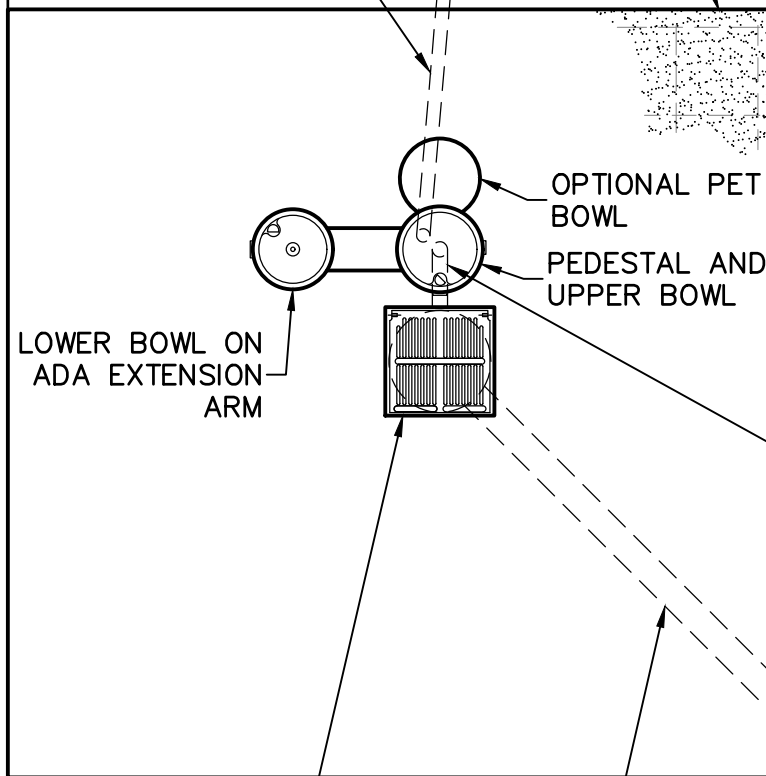
SHEET 2 OF 5  
NOT TO SCALE

5" THICK CONCRETE SLAB OVER 4" THICK COMPACTED AB OR GRAVEL BASE. REINFORCE WITH #4 BARS @ 12" OC MAX PLACED AT MIDDLE OF SLAB THICKNESS.

WATER SHUTOFF VALVE IN VALVE BOX FIELD LOCATE 12" TO 30" FROM SLAB

FLEXIBLE WATER SUPPLY LINE INSIDE SLEEVE TO ALLOW REPLACEMENT WITHOUT DAMAGING CONCRETE SLAB. ORIENTATION IS SITE DEPENDENT.

PATH OF TRAVEL ADJACENT TO DF PAD



OPTIONAL PET BOWL

PEDESTAL AND UPPER BOWL

LOWER BOWL ON ADA EXTENSION ARM

DRAIN LINE BETWEEN DRAIN BASIN AND INTERIOR OF DRINKING FOUNTAIN

CAST-IN-PLACE DRAIN BASIN WITH HINGED IRON GRATE AND FRAME BELOW JUG FILLER. SEE SHEET 4.

3" DRAIN PIPE. ORIENTATION IS SITE DEPENDENT.

(D) MATERIALS PLAN



**DRINKING FOUNTAIN**

REVIEWED BY THE PARK STANDARDS COMMITTEE, AND APPROVED BY THE CHIEF OF DESIGN & CONSTRUCTION

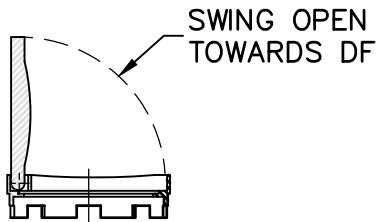
*Signature*

09/23/2022

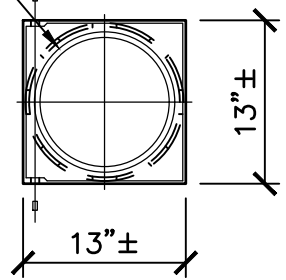
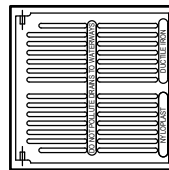
STD PLAN

**515**

SHEET 3 OF 5  
NOT TO SCALE

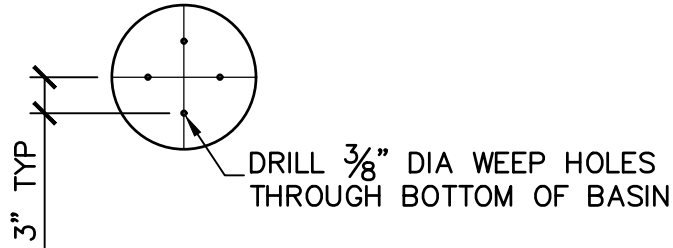


GRATE TO FIT OVER NYLOPLAST BASIN

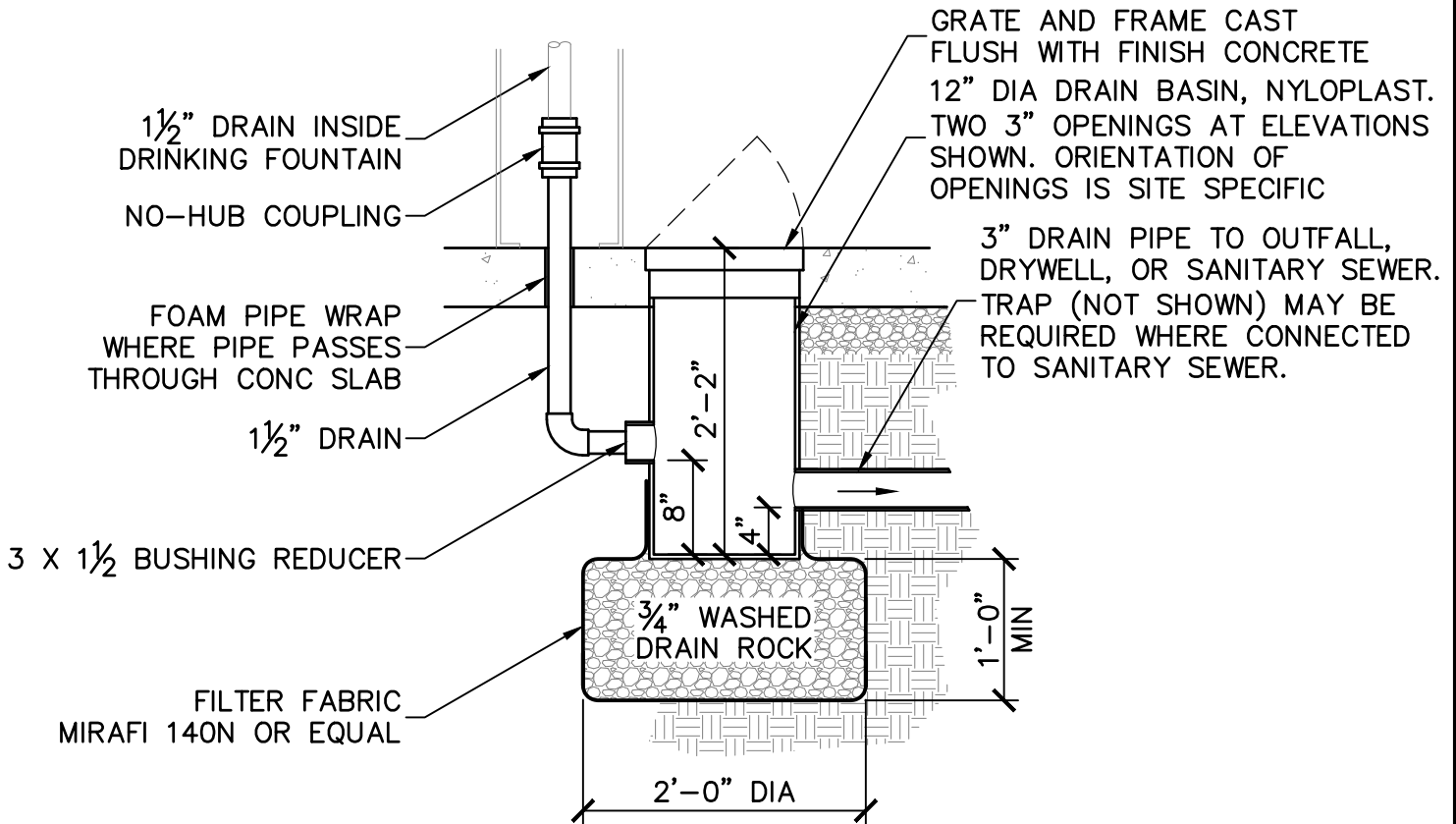


HINGED DUCTILE IRON GRATE AND FRAME  
NYLOPLAST 1299CGP

(E) HINGED DRAIN GRATE



(F) WEEP HOLE PLAN



(G) DRAIN BASIN SECTION



**DRINKING FOUNTAIN**

REVIEWED BY THE PARK STANDARDS COMMITTEE, AND APPROVED BY THE CHIEF OF DESIGN & CONSTRUCTION

*Signature*

09/23/2022

STD PLAN

**515**

SHEET 4 OF 5  
NOT TO SCALE

ADA ACCESSIBILITY

1. IF MORE THAN ONE DRINKING FOUNTAIN IS PROVIDED, AT LEAST 50% SHALL BE ACCESSIBLE
2. THE CLEAR GROUND SPACE AND APPROACH DIMENSIONS SHOWN ARE THE MINIMUMS REQUIRED FOR ADA ACCESSIBLE LOCATIONS AND RECOMMENDED FOR ALL LOCATIONS.
3. AT ACCESSIBLE LOCATIONS, THE 8' SQUARE CONCRETE SLAB SHALL SLOPE 1.5" FROM THE HIGH EDGE TO THE LOW EDGE TO PROVIDE APPROXIMATELY 1.5% SLOPE IN THE DIRECTION OF THE GENERAL SITE DRAINAGE TO AVOID PONDING. THE CONCRETE SLAB SHALL NOT BE SLOPED TO THE DRAIN INLET WHICH IS LOCATED WITHIN THE REQUIRED ACCESSIBLE CLEAR SPACE.

MATERIALS

4. DRINKING FOUNTAIN
  - 4.1. DRINKING FOUNTAIN MAY BE AVAILABLE AT CENTRAL STORES FOR PURCHASE BY PARK DISTRICT STAFF.
  - 4.2. MANUFACTURER: MOST DEPENDABLE FOUNTAINS, INC. (MDF)  
5705 COMMANDER DR. P.O. BOX 587, ARLINGTON, TN 38002-0587,  
1-800-552-6331 OR (901) 867-0039. FAX: (901) 867-0159.  
www.mostdependable.com
  - 4.3. MODEL: 440 SMSS EAST BAY OR 440 SMSS EAST BAY REVERSE (ADA ARM TO RIGHT), SURFACE MOUNT, STAINLESS STEEL PEDESTAL.
  - 4.4. COLOR: POWDER COAT BROWN.
  - 4.5. SURFACE CARRIER: 10NS, 10" STAINLESS STEEL INTERNAL SURFACE CARRIER.
  - 4.6. ACCESSORIES: RECESSED HOSE BIBB WITH LOCK DOOR, JUG FILLER.
  - 4.7. OPTIONAL: PET FOUNTAIN WITH SST SAND STRAINER, SST SAND STRAINERS ON HI AND/OR LOW FOUNTAINS.
5. CONCRETE SLAB
  - 5.1. MINIMUM 28-DAY COMPRESSIVE STRENGTH OF 2,500 PSI.
  - 5.2. ONE POUND OF LAMPBLACK (OR 1 QUART OF LIQUID BLACK) PER CUBIC YARD OF CONCRETE, OR AS REQUIRED TO MATCH ADJACENT SITE CONCRETE.
  - 5.3. LIGHT BROOM FINISH IN SLOPE DIRECTION.
6. DRAIN BASIN AND GRATE. SEE PLANS.
7. DRAIN PIPING TO BE SOLID CORE SCHEDULE 40 PVC DWV, SOLVENT WELD.
8. NO-HUB DRAIN LINE COUPLING TO HAVE SST CLAMPS AND SHIELD.
9. WATER SUPPLY SHALL BE INSTALLED INSIDE A 1/4" PVC CONDUIT SLEEVE EXTENDING INTO VALVE BOX. SUPPLY TO BE TYPE K SOFT COPPER OR SST BRAIDED HOSE (IAPMO CERTIFIED AND NSF LISTED). FLEXIBLE SUPPLY TO BE CONTINUOUS LENGTH BETWEEN FOUNTAIN AND SHUTOFF VALVE.

WORKMANSHIP

10. LOCATE UNDERGROUND UTILITIES PRIOR TO DIGGING. CALL USA (UNDERGROUND SERVICE ALERT) 1-800-277-2600, MON THRU FRI 6AM TO 7PM, A MINIMUM 2 WORKING DAYS WITH A MAXIMUM 14 CALENDAR DAYS, TO OBTAIN A TICKET. CONTACT THE DISTRICT INSPECTOR OR PARK SUPERVISOR FOR DISTRICT UTILITIES NOT LOCATED BY USA.
11. WRAP PIPES PASSING THROUGH SLAB WITH FOAM PIPE WRAP.
12. CONCRETE SLAB
  - 12.1. LIGHT BROOM FINISH IN DIRECTION OF DRAINAGE SLOPE.



**DRINKING FOUNTAIN**

REVIEWED BY THE PARK STANDARDS COMMITTEE, AND APPROVED BY THE CHIEF OF DESIGN & CONSTRUCTION

*Signature*

09/23/2022

STD PLAN

**515**

SHEET **5** OF **5**  
NOT TO SCALE

**EAST BAY REGIONAL PARK DISTRICT - STANDARD PLANS**